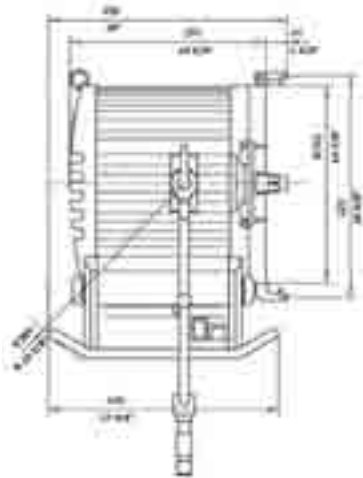
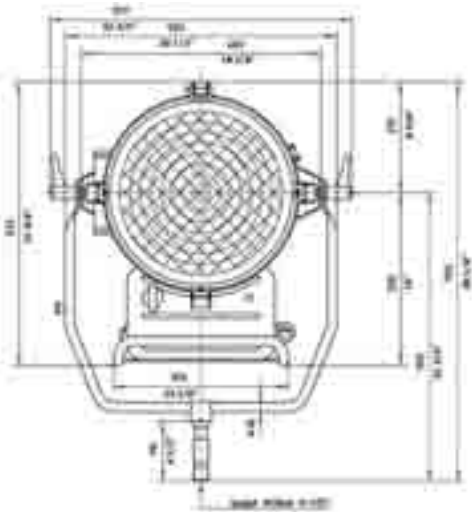


# ARRI Compact HMI 4000W



## Cat. No. Description

540205	4000W Compact Fresnel
540206	4000W Fresnel Theater Model
525203	25 ft. Head/Ballast Cable
525204	50 ft. Head/Ballast Cable
525201	100 ft. Head/Ballast Cable
532510	Four Leaf Barndoor
532515	Eight Leaf Barndoor
532520	Filter Frame
532530	Snoot
540245	4000W Single Ended HMI Lamp
532550	15 1/2" Full Single Scrim
532551	15 1/2" Half Single Scrim
532552	15 1/2" Full Double Scrim
532553	15 1/2" Half Double Scrim
571716	Scrim Bag
853276	Safety Cable
540817	2500/4000W Electronic Ballast w/DMX & ALF
540905	Lamphead Case
525921	Electronic Ballast Case

## Photometric Data

Distance	20 ft. (6.1 m)	25 ft. (7.6 m)	30 ft. (9.1 m)	40 ft. (12.2 m)	50 ft. (15.2 m)
<b>Spot Focus Beam Angle 7°</b>					
Footcandles	4650	2976	2067	1163	744
Beam Diameter	2.4 ft. (0.7 m)	3.1 ft. (0.9 m)	3.7 ft. (1.1 m)	4.9 ft. (1.5 m)	6.1 ft. (1.9 m)
<b>Medium Focus Beam Angle 30°</b>					
Footcandles	1106	708	492	277	177
Beam Diameter	10.7 ft. (3.3 m)	13.4 ft. (4.1 m)	16.1 ft. (4.9 m)	21.4 ft. (6.5 m)	26.8 ft. (8.2 m)
<b>Flood Focus Beam Angle 65°</b>					
Footcandles	431	276	191	108	69
Beam Diameter	25.5 ft. (7.8 m)	31.9 ft. (9.7 m)	38.2 ft. (11.6 m)	51.0 ft. (15.5 m)	63.7 ft. (19.4 m)

### Spot Performance at any distance:

$$\text{Footcandles (or lux)} = 1,860,000 \div \text{Distance}^2 \quad \text{Beam Diameter} = \text{Distance} \times 0.12$$

### Medium Performance at any distance:

$$\text{Footcandles (or lux)} = 442,400 \div \text{Distance}^2 \quad \text{Beam Diameter} = \text{Distance} \times 0.54$$

### Flood Focus Performance at any distance:

$$\text{Footcandles (or lux)} = 172,400 \div \text{Distance}^2 \quad \text{Beam Diameter} = \text{Distance} \times 1.27$$

## Specifications

Weight	49 lbs. (22.2 kg)
Lens	11.8" (300 mm) low expansion borosilicate Fresnel lens
Reflector	Spherical specular high purity aluminum
Lampholder	G38 High Voltage
Mounting	1 1/8" (29 mm) stand mount

For Ballast Specifications see Ballast Section