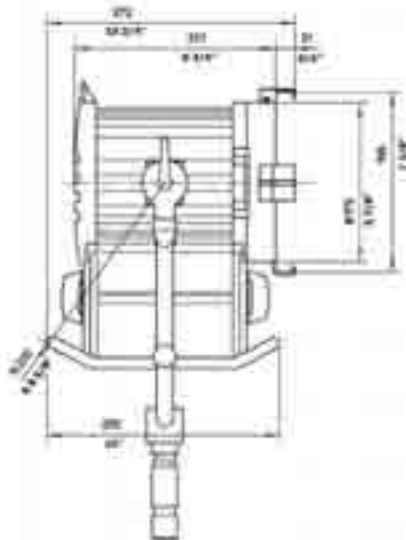
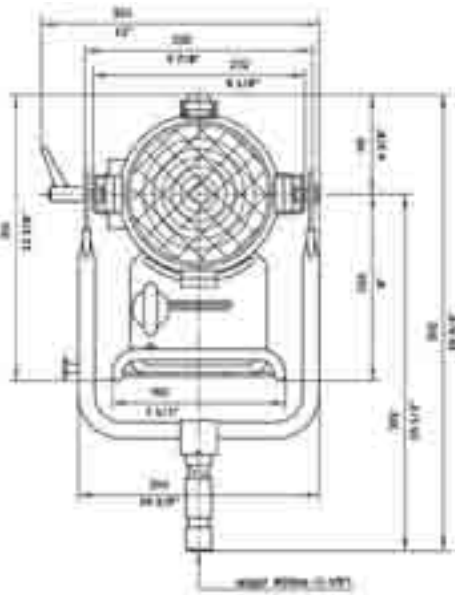


ARRI Compact HMI 575W



Cat. No.	Description
505205	575W Compact Fresnel
505203	25 ft. Head/Ballast Cable
505204	50 ft. Head/Ballast Cable
505201	100 ft. Head/Ballast Cable
531110	Four Leaf Barndoor
531115	Eight Leaf Barndoor
531120	Filter Frame
531130	Snoot
505245	575W Single Ended HMI Lamp
531150	7 3/4" Full Single Scrim
531151	7 3/4" Half Single Scrim
531152	7 3/4" Full Double Scrim
531153	7 3/4" Half Double Scrim
571712	Scrim Bag
853276	Safety Cable
504806	400/575W Electronic Ballast w/ALF
504807	400/575W Electronic Ballast w/DMX & ALF
505810	575/1200W Electronic Ballast w/DMX & ALF
505815	575/1200W Electronic Ballast w/DMX
505905	Lamphead Case
504920	Electronic Ballast Case (400/575W)
505921	Electronic Ballast Case (575/1200W)

Photometric Data

Distance	10 ft. (3.0 m)	15 ft. (4.6 m)	20 ft. (6.1 m)	25 ft. (7.6 m)	30 ft. (9.1 m)
Spot Focus Beam Angle 7°					
Footcandles	2725	1211	681	436	303
Beam Diameter	1.2 ft. (0.4 m)	1.8 ft. (0.5 m)	2.4 ft. (0.7 m)	3.1 ft. (0.9 m)	3.7 ft. (1.1 m)
Medium Focus Beam Angle 30°					
Footcandles	500	222	125	80	56
Beam Diameter	5.4 ft. (1.6 m)	8.0 ft. (2.4 m)	10.7 ft. (3.3 m)	13.4 ft. (4.1 m)	16.1 ft. (4.9 m)
Flood Focus Beam Angle 50°					
Footcandles	278	123	69	44	31
Beam Diameter	9.3 ft. (2.8 m)	14.0 ft. (4.3 m)	18.7 ft. (5.7 m)	23.3 ft. (7.1 m)	28.0 ft. (8.5 m)

Spot Performance at any distance:

$$\text{Footcandles (or lux)} = 272,500 \div \text{Distance}^2 \quad \text{Beam Diameter} = \text{Distance} \times 0.12$$

Medium Performance at any distance:

$$\text{Footcandles (or lux)} = 50,000 \div \text{Distance}^2 \quad \text{Beam Diameter} = \text{Distance} \times 0.54$$

Flood Focus Performance at any distance:

$$\text{Footcandles (or lux)} = 27,800 \div \text{Distance}^2 \quad \text{Beam Diameter} = \text{Distance} \times 0.94$$

Specifications

Weight	17.5 lbs. (7.9 kg)
Lens	5.1" (130 mm) low expansion borosilicate Fresnel lens
Reflector	Spherical specular high purity aluminum
Lampholder	G22 High Voltage
Mounting	5/8" (16 mm) or 1 1/8" (29 mm) stand mount (Please specify)

For Ballast Specifications see Ballast Section