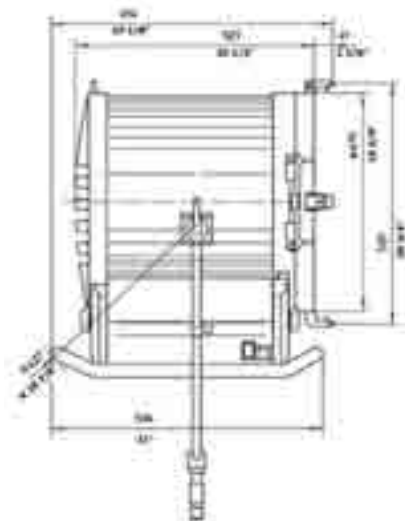
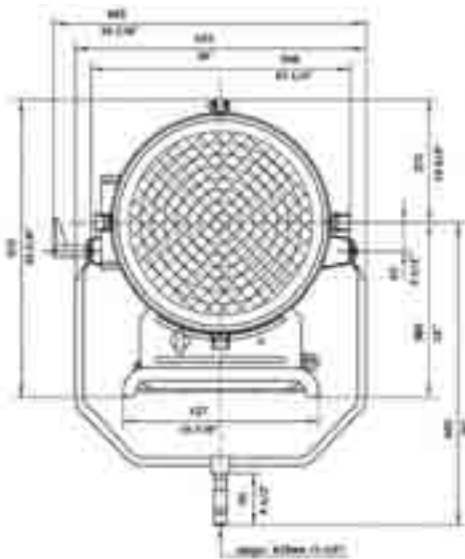


ARRI Compact HMI 6000W



Cat. No.	Description
560205	6000W Compact Fresnel
560206	6000W Fresnel Theater Model
560201	25 ft. Head/Ballast Cable
560202	50 ft. Head/Ballast Cable
560203	100 ft. Head/Ballast Cable
533110	Four Leaf Barndoor
533120	Filter Frame
533160	Outrigger Color Frame
560245	6000W Single Ended HMI Lamp
533150	19 1/2" Full Single Scrim
533151	19 1/2" Half Single Scrim
533152	19 1/2" Full Double Scrim
533153	19 1/2" Half Double Scrim
571718	Scrim Bag
853276	Safety Cable
560817	6000W Electronic Ballast w/ALF
560815	6000/12000W Electronic Ballast w/DMX & ALF
560890	Ballast Cart
560905	Lamphead Case with Casters
560922	Electronic Ballast Case (6000/12000W)
525921	Electronic Ballast Case (6000W)

Photometric Data

Distance	25 ft. (7.6 m)	30 ft. (9.1 m)	40 ft. (12.2 m)	50 ft. (15.2 m)	60 ft. (18.3 m)
Spot Focus Beam Angle 6°					
Footcandles	6050	4200	2363	1512	1050
Beam Diameter	2.6 ft. (0.8 m)	3.1 ft. (0.9 m)	4.2 ft. (1.3 m)	5.2 ft. (1.6 m)	6.3 ft. (1.9 m)
Medium Focus Beam Angle 30°					
Footcandles	1037	720	405	259	180
Beam Diameter	13.4 ft. (4.1 m)	16.1 ft. (4.9 m)	21.4 ft. (6.5 m)	26.8 ft. (8.2 m)	32.2 ft. (9.8 m)
Flood Focus Beam Angle 63°					
Footcandles	456	317	178	114	79
Beam Diameter	30.6 ft. (9.3 m)	36.8 ft. (11.2 m)	49.0 ft. (14.9 m)	61.3 ft. (18.7 m)	73.5 ft. (22.4 m)

Spot Performance at any distance:

$$\text{Footcandles (or lux)} = 3,780,625 \div \text{Distance}^2 \quad \text{Beam Diameter} = \text{Distance} \times 0.11$$

Medium Performance at any distance:

$$\text{Footcandles (or lux)} = 648,125 \div \text{Distance}^2 \quad \text{Beam Diameter} = \text{Distance} \times 0.54$$

Flood Focus Performance at any distance:

$$\text{Footcandles (or lux)} = 285,000 \div \text{Distance}^2 \quad \text{Beam Diameter} = \text{Distance} \times 1.23$$

Specifications

Weight	77 lbs. (34.9 kg)
Lens	16.7" (425 mm) low expansion borosilicate Fresnel lens
Reflector	Spherical specular high purity aluminum
Lampholder	G38 High Voltage
Mounting	1 1/8" (29 mm) stand mount

For Ballast Specifications see Ballast Section