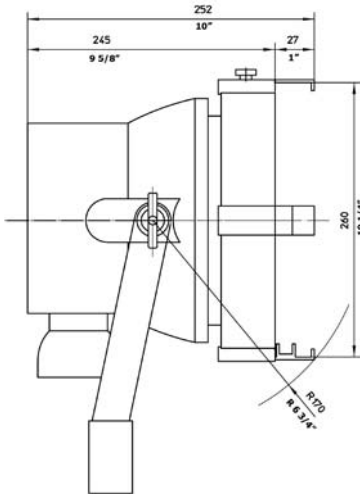
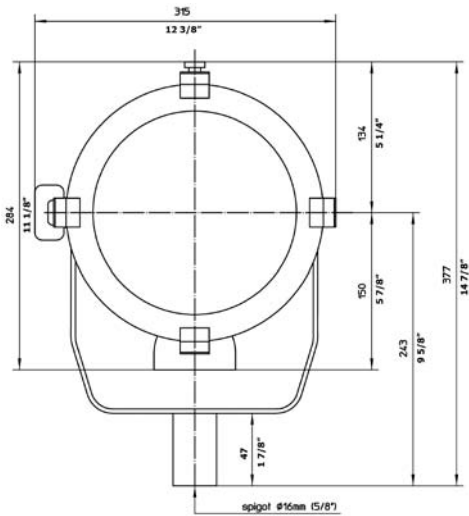


ARRILITE 2000



Cat. No. Description

Cat. No.	Description
571200	ARRILITE 2000
571210	Four Leaf Barndoor
571250	10" Full Single Scrim
571257	10" Half Single Scrim
571252	10" Full Double Scrim
571253	10" Half Double Scrim
571714	Scrim Bag
853276	Safety Cable
571254	Dichroic Filter
570111	ARRI Umbrella
570026	ARRI Umbrella Holder
571295	Heavy Duty Case with wheels

Lamps

Code	FEY	FER	FEX
Watts	2000	1000	2000
Volts	120	120	240
Color Temp (K)	3200	3400	3200
Approx. Life (hrs)	400	500	300

Specifications

Weight	8.7 lbs. (3.9 kg)
Cable	11.5 ft. (3.5 m) cable with inline switch
Reflector	High purity aluminum
Lampholder	R7S
Mounting	5/8" (16 mm) stand mount

Photometric Data with FEY 2000W Lamp

Distance	10 ft. (3.0 m)	15 ft. (4.6 m)	20 ft. (6.1 m)	25 ft. (7.6 m)	30 ft. (9.1 m)
----------	----------------	----------------	----------------	----------------	----------------

Spot Focus Beam Angle 19°

Footcandles	2308	1026	577	369	256
Beam Diameter	3.3 ft. (1.0 m)	5.0 ft. (1.5 m)	6.7 ft. (2.0 m)	8.4 ft. (2.6 m)	10.0 ft. (3.0 m)

Medium Focus Beam Angle 50°

Footcandles	438	194	109	70	49
Beam Diameter	9.3 ft. (2.8 m)	14.0 ft. (4.3 m)	18.7 ft. (5.7 m)	23.3 ft. (7.1 m)	28.0 ft. (8.5 m)

Flood Focus Beam Angle 74°

Footcandles	295	131	74	47	33
Beam Diameter	15.1 ft. (4.6 m)	22.6 ft. (6.9 m)	30.1 ft. (9.2 m)	37.7 ft. (11.5 m)	45.2 ft. (13.8 m)

Spot Performance at any distance:

$$\text{Footcandles (or lux)} = 230,800 \div \text{Distance}^2 \quad \text{Beam Diameter} = \text{Distance} \times 0.33$$

Medium Performance at any distance:

$$\text{Footcandles (or lux)} = 43,800 \div \text{Distance}^2 \quad \text{Beam Diameter} = \text{Distance} \times 0.94$$

Flood Performance at any distance:

$$\text{Footcandles (or lux)} = 29,500 \div \text{Distance}^2 \quad \text{Beam Diameter} = \text{Distance} \times 1.45$$