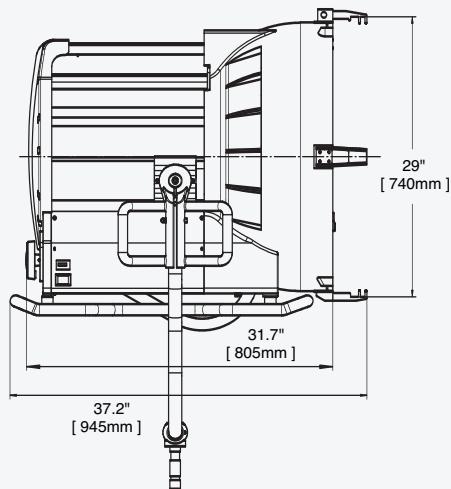
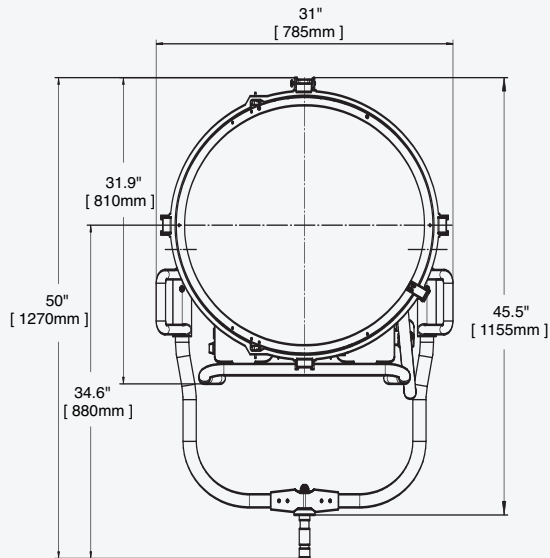


ARRIMAX 18/12

THE MOST POWERFUL HMI LIGHT ON THE PLANET

ARRI's exciting new fixture provides an optimum choice for productions requiring maximum light output. Combining the variable beam spread of a Fresnel and the light output of a PAR, the ARRIMAX uses a unique reflector concept for beam control that eliminates the need for spread lenses.



Cat. No.	Description
563500	ARRIMAX 18/12
563524	Spot Reflector
562202	50ft. Head/Ballast Cable
562201	100ft. Head/Ballast Cable
563210	Four Leaf Barndoor
563220	Filter Frame
563230	Snoot
563245	18,000 Single Ended HMI Lamp
562245	12,000 Single Ended HMI Lamp
533250	29" Full Single Scrim
533251	29" Half Single Scrim
533252	29" Full Double Scrim
533253	29" Half Double Scrim
533256	29" Quarter Single Scrim
533257	29" Quarter Double Scrim
571720	Scrim Bag
562814	ARRIMAX 18/12 Electronic Ballast (220V 50/60Hz)
563590	ARRIMAX 18/12 Case
563920	ARRIMAX 18/12 Electronic Ballast Case
563700	MaxMover System with Remote and Case
563705	MaxMover Focus Unit

Photometric Data 18,000W SE Lamp

Distance	30ft	50ft	100ft	150ft
	9.1m	15.2m	30.4m	45.7m

Spot Focus: Beam Angle: 15°

Footcandles	14,440fc	5,198fc	1,300fc	578fc
Beam Diameter	7.9ft	13.2ft	26.3ft	39.5ft
	2.4m	4m	8m	12m

Flood Focus: Beam Angle 50°

Footcandles	1,495fc	538fc	135fc	60fc
Beam Diameter	28ft	46.7ft	93.3ft	140ft
	8.5m	14.2m	28.4m	42.6m

Spot Performance at any distance

Footcandles (or lux) equals 12,996,000 divided by Distance² Beam Diameter = Distance x .263

Flood Performance at any distance

Footcandles (or lux) equals 1,345,900 divided by Distance² Beam Diameter = Distance x .933

Specifications

Weight	143lb (65kg)
Reflector	ARRI, multi-faceted, paraboloidal-ellipsoidal shaped using high purity aluminum
Lampholder	ARRI spring loaded lampholder and base support clamping mechanism for GX38 and GX51 lamp bases
Mounting	1 1/8 (29mm) stand mount
Ballast	See ARRI Electronic Ballast Brochure