

ARRISUN 40/25

Photometric Data w/4000W Lamp: Footcandles

Distance	35 ft. (10.7 m)	40 ft. (12.2 m)	60 ft. (18.3 m)	80 ft. (24.4 m)
Super Spot/No Lens				
Spot (5°)	8368	6407	2847	1602
Spot Lens/Spot				
Spot (7°)	4633	3547	1577	887
Medium (10°)	2776	2125	945	531
Flood (15°)	172	1317	585	329
Medium Lens				
Spot (10° x 19°)	1825	1397	621	349
Medium (18° x 21°)	1039	795	354	199
Flood (19° x 23°)	816	625	278	156
Wide Lens				
Spot (18° x 26°)	633	484	215	121
Medium (19° x 35°)	531	407	181	102
Flood (20° x 43°)	369	283	126	71
Super Wide Lens				
Spot (41°)	327	250	111	63
Medium (45°)	292	224	99	56
Flood (53°)	214	164	73	41
Frosted Lens				
Spot (39°)	216	166	74	41
Medium (45°)	185	142	63	35
Flood (52°)	146	112	50	28

In addition to using spread lenses, ARRISUN fixtures can be focused over a wide range. This data shows spot, medium and flood performance for each lens. The table showing "performance at any distance" is based on medium focus. For additional data with the 2500 lamp see the Photometric Calculator at www.arri.de/prod/lighting/calculator

Photometric Data w/4000W Lamp: Beam Diameter

Distance	35 ft. (10.7 m)	40 ft. (12.2 m)	60 ft. (18.3 m)	80 ft. (24.4 m)
Super Spot/No Lens				
Spot (5°)	3.1 ft. (0.9 m)	3.5 ft. (1.1 m)	5.2 ft. (1.6 m)	7.0 ft. (2.1 m)
Spot Lens				
Spot (7°)	4.3 ft. (1.3 m)	4.9 ft. (1.5 m)	7.3 ft. (2.2 m)	9.8 ft. (3.0 m)
Medium (10°)	6.1 ft. (1.9 m)	7.0 ft. (2.1 m)	10.5 ft. (3.2 m)	14.0 ft. (4.3 m)
Flood (15°)	9.2 ft. (2.8 m)	10.5 ft. (3.2 m)	15.8 ft. (4.8 m)	21.1 ft. (6.4 m)
Medium Lens				
Spot (10° x 19°)	6.1 x 11.7 ft.	7.0 x 13.4 ft.	10.5 x 20.1 ft.	14.0 x 26.8 ft.
	1.9 x 3.6 m	2.1 x 4.1 m	3.2 x 6.1 m	4.3 x 8.2 m
Medium (18° x 21°)	11.1 x 13.0 ft.	12.7 x 14.8 ft.	19.0 x 22.2 ft.	25.3 x 29.7 ft.
	3.4 x 4.0 m	3.9 x 4.5 m	5.8 x 6.8 m	7.7 x 9.1 m
Flood (19° x 23°)	11.7 x 14.2 ft.	13.4 x 16.3 ft.	20.1 x 24.4 ft.	26.8 x 32.6 ft.
	3.6 x 4.3 m	4.1 x 5.0 m	6.1 x 7.4 m	8.2 x 9.9 m
Wide Lens				
Spot (18° x 26°)	11.1 x 16.2 ft.	12.7 x 18.5 ft.	19.0 x 27.7 ft.	25.3 x 36.9 ft.
	3.4 x 4.9 m	3.9 x 5.6 m	5.8 x 8.4 m	7.7 x 11.2 m
Medium (19° x 35°)	11.7 x 22.1 ft.	13.4 x 25.2 ft.	20.1 x 37.8 ft.	26.8 x 50.4 ft.
	3.6 x 6.7 m	4.1 x 7.7 m	6.1 x 11.5 m	8.2 x 15.4 m
Flood (20° x 43°)	12.3 x 27.6 ft.	14.1 x 31.5 ft.	21.2 x 47.3 ft.	28.2 x 63.0 ft.
	3.7 x 8.4 m	4.3 x 9.6 m	6.5 x 14.4 m	8.6 x 19.2 m
Super Wide Lens				
Spot (41°)	26.2 ft. (8.0 m)	29.9 ft. (9.1 m)	44.9 ft. (13.7 m)	59.8 ft. (18.2 m)
Medium (45°)	29.0 ft. (8.8 m)	33.1 ft. (10.1 m)	49.7 ft. (15.1 m)	66.3 ft. (20.2 m)
Flood (53°)	34.9 ft. (10.6 m)	39.9 ft. (12.2 m)	59.8 ft. (18.2 m)	79.8 ft. (24.3 m)
Frosted Lens				
Spot (39°)	24.8 ft. (7.6 m)	28.3 ft. (8.6 m)	42.5 ft. (13.0 m)	56.7 ft. (17.3 m)
Medium (45°)	29.0 ft. (8.8 m)	33.1 ft. (10.1 m)	49.7 ft. (15.1 m)	66.3 ft. (20.2 m)
Flood (52°)	34.1 ft. (10.4 m)	39.0 ft. (11.9 m)	58.5 ft. (17.8 m)	78.0 ft. (23.8 m)

Super Spot/No Lens Performance at any distance:

$$\text{Footcandles (or lux)} = 10,251,000 \div \text{Distance}^2 \quad \text{Beam Diameter} = \text{Distance} \times 0.09$$

Spot Lens Performance at any distance:

$$\text{Footcandles (or lux)} = 3,400,600 \div \text{Distance}^2 \quad \text{Beam Diameter} = \text{Distance} \times 0.18$$

Medium Lens Performance at any distance:

$$\text{Footcandles (or lux)} = 1,272,775 \div \text{Distance}^2 \quad \text{Beam Diameter} = \text{Distance} \times 0.32$$

$$\text{Beam Diameter} = \text{Distance} \times 0.37$$

Wide Lens Performance at any distance:

$$\text{Footcandles (or lux)} = 650,475 \div \text{Distance}^2 \quad \text{Beam Diameter} = \text{Distance} \times 0.34$$

$$\text{Beam Diameter} = \text{Distance} \times 0.63$$

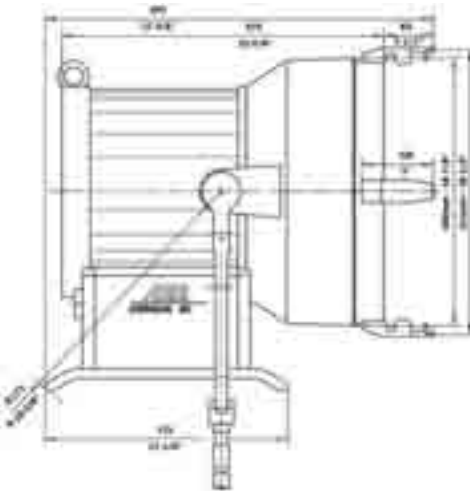
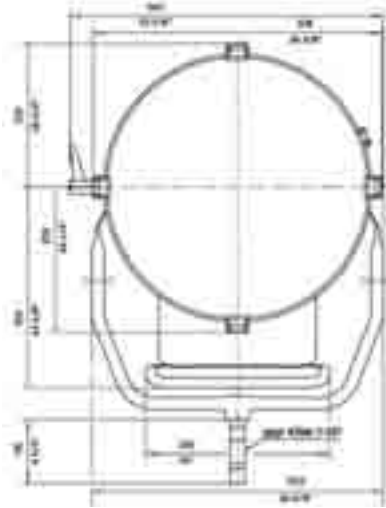
Super Wide Lens Performance at any distance:

$$\text{Footcandles (or lux)} = 357,700 \div \text{Distance}^2 \quad \text{Beam Diameter} = \text{Distance} \times 0.83$$

Frosted Lens Performance at any distance:

$$\text{Footcandles (or lux)} = 226,625 \div \text{Distance}^2 \quad \text{Beam Diameter} = \text{Distance} \times 0.83$$

ARRISUN 60



Cat. No.	Description
560300	ARRISUN 60
560201	25 ft. Head/Ballast Cable
560202	50 ft. Head/Ballast Cable
560203	100 ft. Head/Ballast Cable
560335	Lens Set (Spot, Medium, Wide, Super Wide, Frosted)
560396	Lens Case
533110	Four Leaf Barndoor
560245	6000W Single Ended HMI Lamp
533150	19 1/2" Full Single Scrim
533152	19 1/2" Full Double Scrim
571718	Scrim Bag
853276	Safety Cable
560817	6000W Electronic Ballast w/ALF
560815	6000/12000W Electronic Ballast w/DMX & ALF
560890	Ballast Cart
560391	Lamphead Case
560922	Electronic Ballast Case (6000/12000W)
525921	Electronic Ballast Case (6000W)

Specifications

Weight	62 lbs. (28.1 kg)
Reflector	High purity aluminum parabolic
Lampholder	G38 High Voltage
Mounting	1 1/8" (29 mm) stand mount

For Ballast Specifications see Ballast Section