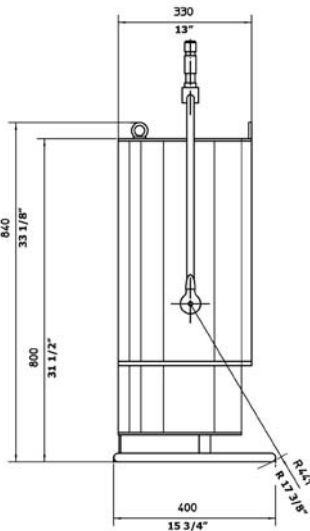
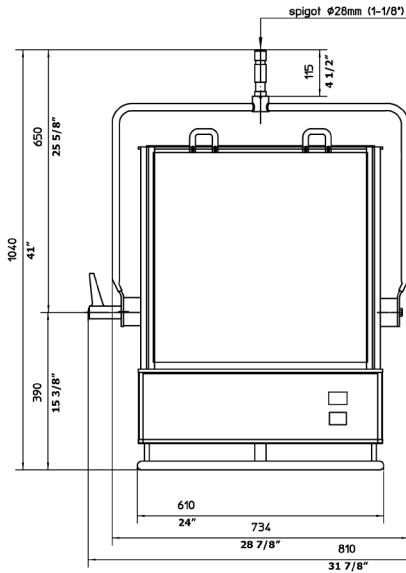


ARRI X60



Cat. No.	Description
560400	ARRI X60
560201	25 ft. Head/Ballast Cable
560202	50 ft. Head/Ballast Cable
560203	100 ft. Head/Ballast Cable
560410	Four Leaf Barndoor
560421	Frosted Glass Diffuser
560424	Black Reflector
560245	6000W Single Ended HMI Lamp
560817	6000W Electronic Ballast w/ALF
560815	6000/12000W Electronic Ballast w/DMX & ALF
560890	Ballast Cart
560490	Lamphead Case w/Casters
560922	Electronic Ballast Case (6000/12000W)
525921	Electronic Ballast Case (6000W)



Photometric Data

Distance	10 ft. (3.0 m)	15 ft. (4.6 m)	20 ft. (6.1 m)	25 ft. (7.6 m)	30 ft. (9.1 m)
Beam (128°)					
Footcandles	1062	472	266	170	118
Beam Diameter	41.0 ft. (12.5 m)	61.5 ft. (18.7 m)	82.0 ft. (25.0 m)	102.5 ft. (31.2 m)	123.0 ft. (37.5 m)

Performance at any distance:

$$\text{Footcandles (or lux)} = 106,200 \div \text{Distance}^2 \quad \text{Beam Diameter} = \text{Distance} \times 4.1$$

Specifications

Weight	76 lbs. (34.5 kg)
Reflector	High purity aluminum
Lampholder	G38 High Voltage
Mounting	1 1/8" (29 mm) stand mount
Safety Glass	Clear safety glass

For Ballast Specifications see Ballast Section