
Operation Manual

Foto-Flo 400



KINO FLO®
Lighting Systems

Foto-Flo 400 Kits



KIT-F4-120

Foto-Flo 400 Kit, 120vac

KIT-F4-230

Foto-Flo 400 Kit, 230vac

Kit Contents:

- 1 Foto-Flo 400 Ballast
- 1 Foto-Flo 400 Fixture
- 1 Extension, 25ft
- 1 6-Lamp Carry Case
- 1 Travel Case

Dimensions

54 x 21.5 x 9"
(137 x 54.5 x 23cm)

Weight

43lb
(19.4kg)

Foto-Flo 400 System



CFX-F4
Foto-Flo 400 Fixture



MTP-B41
Mount w/ Baby Receiver
(16mm)



X16-25
Extension, 25ft

X16-12
Extension, 12ft



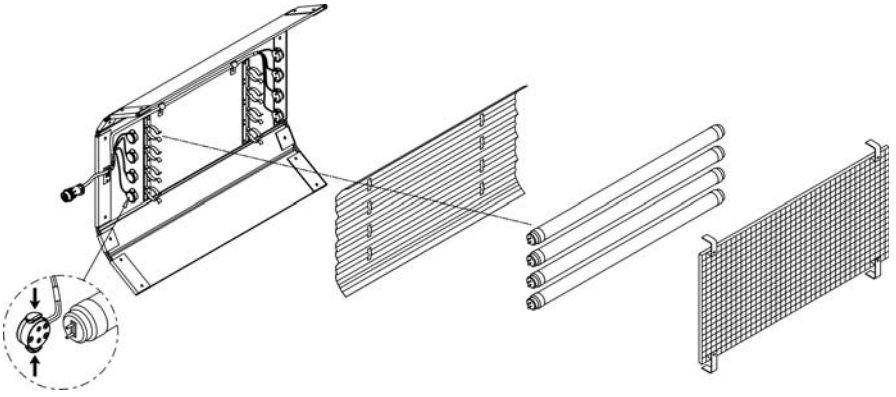
BAL-422-120
Foto-Flo 400 Ballast, 120vac

BAL-422-230
Foto-Flo 400 Ballast, 230vac

Each System consists of:

- 1 Foto-Flo 400 Fixture
- 1 Mounting Plate
- 1 25ft Extension Cable
- 1 Foto-Flo 400 Ballast

Fixture Assembly



The Foto-Flo 400 fixture is comprised of a removable Louver, Reflector, and Lamp Harness. The Louver and Reflector are held in place with Velcro fasteners. The Lamp Harness is secured by means of a ¼ turn fastener and two clips.



To Release the Lamp Harness

Remove the harness from 2 clips located under the reflector. Rotate the ¼ turn fastener clockwise to release harness.



The lamps can operate independent of the fixture allowing them to be built into sets or custom soft boxes or hand held as a single tube for an eye-light.

WARNING: Always use safety coated lamps to avoid injury if lamp breaks.

Lamp Harness Color Codes

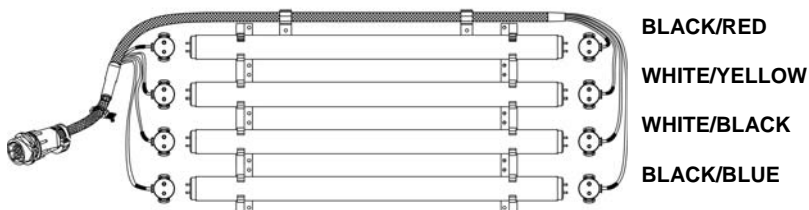


Foto-Flo 400 Harness

The Harness wiring is color-coded. The same color-code must match at each end of the lamp for proper operation.

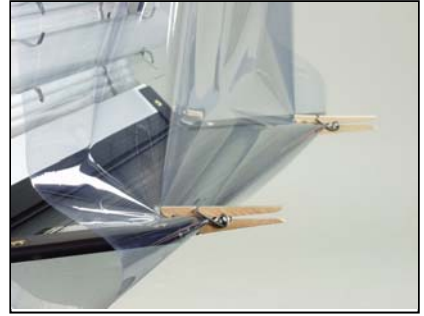
Inserting Lamps



Locking Lamp Connector:

Depress both tabs on lamp connector and apply to lamp pins.
Match the Harness color-codes at each end of the lamp.
Push lamps into the fixture's Lamp Holder Clips.

Gelling the Fixture

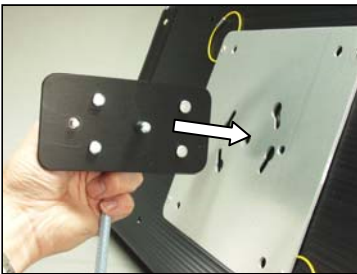


Restricting the airflow around the lamps can cause the lamp to operate hotter. This increased heat will raise the lamp's color temperature and green spike. Therefore, it is recommended to clip gels to the Doors of the Fixture.

Do Not clip gels to louver.

Do Not block the fixture ends in a manner that restricts airflow.

Mounting the Fixture



Align the center pin of the mounting plate to the center hole on the mating plate.



Rotate plate clockwise until the four shoulder rivets drop into the receptacle. A locking pin will snap into place when the plate is properly seated.



To remove the plate, pull up on the locking pin and rotate the plate counter clockwise.

The standard mount comes with a Baby Receptacle Lollipop that mounts onto a baby stand. The ball and socket mount allows the fixture to be oriented in a broad range of angles.



The **Silver ring loops** provide attachment points for a safety chain.



Optional Lollipops allow mounting to grip heads or baby stands.

Other Fixture Mounting Options



The grommet holes along the edge of the fixture are designed to allow the fixture to be screwed onto set walls.

Note: The ballast must be removed to enable this function.



Mounting the Ballast



1. Connect the harness to the Ballast. Align the key ways on the harness connector with the circular receptacle on the ballast. Rotate the locking ring until it clicks into the lock position.



2. Insert the 4 rubber feet of the ballast into the 4 holes in the fixture.



3. Secure the Ballast to the fixture with the Velcro fastening strap.

Extension Cable



The Foto-Flo fixture can be used with the ballast directly attached or remotely, using a 25ft extension cable. Remote operation of the ballast provides more diverse rigging options.

To insert the cable, align the key ways on the extension cable with the circular receptacle on the ballast. Rotate the locking ring until it clicks into the lock position. Lamps can operate as far as 75 feet from the ballast. (3 x 25ft extensions)

Ballast Operation

WARNING!

- 1) ALWAYS TURN OFF THE BALLAST BEFORE connecting or disconnecting Lamps, Harnesses or Extension Cables.
- 2) Use only with Sine wave inverters. Do not operate on SCR dimmers.
- 3) If powering the ballasts through a Dimmer Pack set the Dimmer to Non-Dim Mode.

The 120 VAC Ballast requires 110 to 130 Volts AC 50/60 Hertz on an earth grounded circuit; the 230 VAC Ballast requires 220 to 240 Volts AC on an earth grounded circuit. The electronic Ballast operates at a high frequency of 25KHz. It is dead-quiet, instant-on and lightweight.

The Ballast operates remote from the fixture. Connect the Extension cable to the Ballast and the Lamp Harness. After the lamps are properly installed the Ballast can be turned on.

Cold Temperature Operation

The Foto-Flo Ballast series is designed to operate at temperatures from 14F to 122F (-10C to +50C). In cold temperatures, the Ballast may not strike the lamp(s) instantly. Switch the Ballast to OFF, wait seven seconds and try again. If the Ballast does not strike after two or three attempts, turn off the Ballast, check that the Extension and Harness connections are secure and re-strike. Once operating for a few minutes, the Lamps should re-strike instantly.

Foto-Flo Kit Components



CFX-F4 Foto-Flo 400 Fixture



MTP-B41 "Twist-On" Mount w/ Baby Receiver



X16-25 4Bank Ext. Cable, 25ft
X16-12 4Bank Ext. Cable, 12ft



BAL-422-120 Foto-Flo 400, 120VAC
BAL-422-230 Foto-Flo 400, 230VAC



KAS-C46 6-Lamp Carry Case, (4ft)



KAS-F4-C Foto-Flo 400 Travel Case

Accessories and Parts



MTP-K41 "Twist-On" Mount w/ 3/8" Pin
MTP-B41S "Twist-On" Mount w/ Baby Receiver Short
MTP-B41T "Twist-On" Mount w/ Baby Receiver Straight



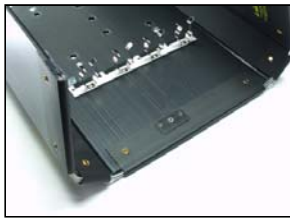
MTP-L Lollipop 3/8" Pin
MTP-LB Lollipop w/ Baby Receiver
MTP-LBS Lollipop w/ Baby Receiver Short
MTP-LBT Lollipop w/ Baby Receiver Straight



X16-A4 4Bank to Single Splitter
X16-A9 4Bank to Double Splitter



DFS-4804 Foto-Flo 400 Flozier, Full
DFS-4804-H Foto-Flo 400 Flozier, Half



FIX-F4 Foto-Flo 400 Fixture Shell



HAR-F4 Foto-Flo 400 Harness



LVR-4804-B Foto-Flo 400 Louver, Black



REF-4804 Foto-Flo 400 Reflector

Expendables



EXP-LHC-T12 Lamp Holder Clips T12, 24pk



EXP-M&T Adhesive Mounts and Releasable Ties, 25pk



PRT-HLC Kino Locking Lamp Connector, 1 pk

See web site: www.kinoflo.com for more repair parts

Cases



KAS-C46



KAS-F4-C

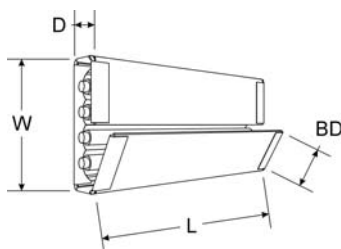


BAG-401

Part Number	Description	Dimensions	Weight (Empty)	Holds
KAS-C46	6-Lamp Carry Case, (4ft)	50.5 x 6 x 4" (128.5 x 15 x 10cm)	1.5lb / .7kg	4ft Lamps (6)
KAS-F4-C	Foto-Flo 400, Travel Case	54 x 21.5 x 9" (137 x 54.5 x 23cm)	22lb / 9.9kg	Foto-Flo 400, Kit Items
BAG-401	4ft 4Bank Soft Case	53.5 x 7 x 14" (136 x 18 x 35.5cm)	4.6lb / 2.1kg	Foto-Flo 400, System (1)

Fixture Specifications

Kino Flo Foto-Flo 400 Fixture Dimensions



Fixture Style	Length	Width	Depth	Barndoor Width	Weight w/Lamps
Foto-Flo 400	52"	13"	3.5"	6.5"	11.5 lbs

Ballast Specifications



BAL-422-120

Foto-Flo 400 Ballast, 120VAC

Input Voltage: 120VAC 50/60Hz
 Output Frequency: 25 kHz
 Amperage: F75/4.8A
 Lamp switching: 4 / 2 / off
 Ballast size: 9.5 x 9 x 2.5"
 (24 x 23 x 6.5cm)
 Weight: 4.3lb / 1.9kg

BAL-422-230

Foto-Flo 400 Ballast, 230VAC

Input Voltage: 230VAC 50/60Hz
 Output Frequency: 25kHz
 Amperage: F75/2.4A
 Lamp switching: 4 / 2 / off
 Ballast size: 9.5 x 9 x 2.5"
 (24 x 23 x 6.5cm)
 Weight: 5.5lb / 2.5kg

Environmental: Disposal of Old Electrical & Electronic Equipment.



This symbol on the product or on its packaging indicates that this product shall not be treated as household waste. This product is made of recyclable materials and should be disposed of in accordance with local and state regulations.