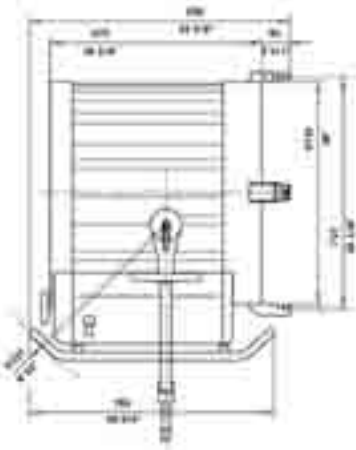
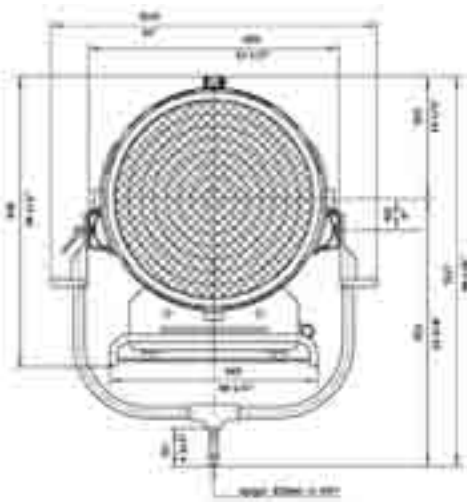


ARRI T24 24000W Fresnel



Cat. No.	Description
533200	T24 24000W Fresnel
563210	Four Leaf Barndoor
533250	29" Full Single Scrim
533251	29" Half Single Scrim
533252	29" Full Double Scrim
533253	29" Half Double Scrim
571720	Scrim Bag
853276	Safety Cable
533230	24K Dimmer (220V, 60Hz)

Lamps

Code	KP240H/220	BCM
Watts	24000	20000
Volts	220	220
Color Temp (K)	3400	3200
Approx. Life (hrs)	150	300

Specifications

Weight	134 lbs. (60.8 kg)
Cable	6.6 ft. (2.0 m)
Lens Diameter	24.6" (625 mm) low expansion borosilicate Fresnel lens
Reflector	Spherical specular high purity aluminum
Lampholder	G38
Mounting	1 1/8" (29 mm) stand mount

Photometric Data with 24000W Lamp

Distance	35 ft. (10.7 m)	40 ft. (12.2 m)	60 ft. (18.3 m)	80 ft. (24.4 m)	100 ft. (30.5 m)
----------	-----------------	-----------------	-----------------	-----------------	------------------

Spot Focus Beam Angle 14°

Footcandles	3780	2894	1286	724	463
Beam Diameter	8.6 ft. (2.6 m)	9.8 ft. (3.0 m)	14.7 ft. (4.5 m)	19.6 ft. (6.0 m)	24.6 ft. (7.5 m)

Medium Focus Beam Angle 30°

Footcandles	1331	1019	453	255	163
Beam Diameter	18.8 ft. (5.7 m)	21.4 ft. (6.5 m)	32.2 ft. (9.8 m)	42.9 ft. (13.1 m)	53.6 ft. (16.3 m)

Flood Focus Beam Angle 55°

Footcandles	648	496	221	124	79
Beam Diameter	36.4 ft. (11.1 m)	41.6 ft. (12.7 m)	62.5 ft. (19.1 m)	83.3 ft. (25.4 m)	104.1 ft. (31.7 m)

Spot Performance at any distance:

$$\text{Footcandles (or lux)} = 4,630,400 \div \text{Distance}^2 \quad \text{Beam Diameter} = \text{Distance} \times 0.25$$

Medium Performance at any distance:

$$\text{Footcandles (or lux)} = 1,630,400 \div \text{Distance}^2 \quad \text{Beam Diameter} = \text{Distance} \times 0.54$$

Flood Performance at any distance:

$$\text{Footcandles (or lux)} = 793,600 \div \text{Distance}^2 \quad \text{Beam Diameter} = \text{Distance} \times 1.04$$