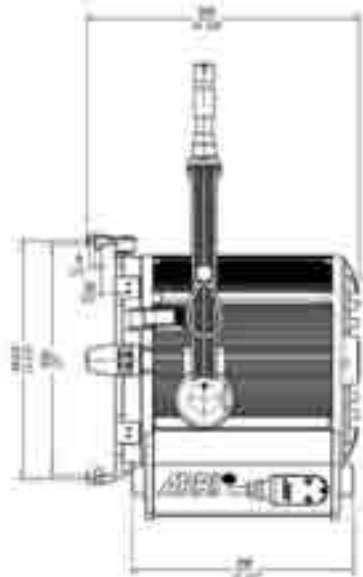
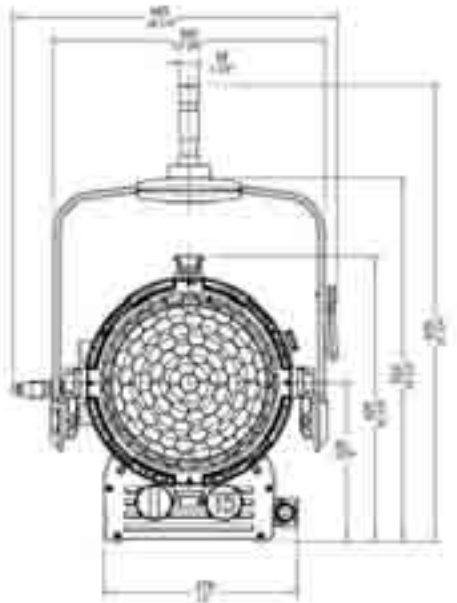


T5 5000W Fresnel



| Cat. No. | Description |
|----------|--|
| 551500 | T5 5000W Fresnel, Stand Model |
| 551501 | T5 5000W Fresnel, Hanging Model |
| 551502 | T5 5000W Fresnel, Stand Model, Black |
| 551503 | T5 5000W Fresnel, Hanging Model, Black |
| 551505 | T5 5000W Fresnel, Pole Operated |
| 552210 | Four Leaf Barndoor |
| 552215 | Eight Leaf Barndoor |
| 532220 | Filter Frame |
| 532230 | Snoot |
| 512250 | 13" Full Single Scrim |
| 512251 | 13" Half Single Scrim |
| 512252 | 13" Full Double Scrim |
| 512253 | 13" Half Double Scrim |
| 571716 | Scrim Bag |
| 853276 | Safety Cable |
| 531510 | Operating Pole for pole-op fixtures |
| 531530 | 6K Dimmer (120V/50-60Hz) |

Lamps

| Code | DPY | CP29 |
|--------------------|------|------|
| Watts | 5000 | 5000 |
| Volts | 120 | 230 |
| Color Temp (K) | 3200 | 3200 |
| Approx. Life (hrs) | 500 | 500 |

Specifications

| | | |
|---------------|--|--|
| Weight | 27.7 lbs. (12.6 kg) (Stand Model) | |
| Cable | 10.0 ft. (3.0 m) cable with inline switch; Hanging model with 3.0 ft. (1.0 m) cable w/o switch | |
| Lens Diameter | 10" (250 mm) low expansion borosilicate Fresnel lens | |
| Reflector | Spherical specular high purity aluminum | |
| Lampholder | G22/38 | |
| Mounting | 1 1/8" (28 mm) stand; Hanging model with pipe clamp | |
| Certification | NRTL-US-C; CE; IP23 | |

Photometric Data with DPY 5000W Lamp

| Distance | 20 ft. (6.1 m) | 25 ft. (7.6 m) | 30 ft. (9.1 m) | 40 ft. (12.2 m) | 50 ft. (15.2 m) |
|------------------------------------|------------------|------------------|------------------|-------------------|-------------------|
| Spot Focus Beam Angle 15° | | | | | |
| Footcandles | 1207 | 772 | 536 | 302 | 193 |
| Beam Diameter | 5.3 ft. (1.6 m) | 6.6 ft. (2.0 m) | 7.9 ft. (2.4 m) | 10.5 ft. (3.2 m) | 13.2 ft. (4.0 m) |
| Medium Focus Beam Angle 30° | | | | | |
| Footcandles | 603 | 386 | 268 | 151 | 96 |
| Beam Diameter | 10.7 ft. (3.3 m) | 13.4 ft. (4.1 m) | 16.1 ft. (4.9 m) | 21.4 ft. (6.5 m) | 26.8 ft. (8.2 m) |
| Flood Focus Beam Angle 53° | | | | | |
| Footcandles | 301 | 192 | 134 | 75 | 48 |
| Beam Diameter | 19.9 ft. (6.1 m) | 24.9 ft. (7.6 m) | 29.9 ft. (9.1 m) | 39.9 ft. (12.2 m) | 49.9 ft. (15.2 m) |

Spot Performance at any distance:

Footcandles (or lux) = 482,600 ÷ Distance² Beam Diameter = Distance x 0.26

Medium Performance at any distance:

Footcandles (or lux) = 241,125 ÷ Distance² Beam Diameter = Distance x 0.54

Flood Performance at any distance:

Footcandles (or lux) = 120,275 ÷ Distance² Beam Diameter = Distance x 1.0